



SERVING THE FOOD INDUSTRY SINCE 1951

36" Commercial Electric Range with 6 Burners and Standard Oven – 208V, 18kW, 3Ph

ITEM: 49103

MODEL: CE-CN-0036-ET

This commercial range is a versatile addition to any professional kitchen.

This electric gas range features 6 round Hot-Plate Burners and a standard oven, delivering a total of Ideal for high-demand environments, it ensures efficient cooking and consistent results.

FEATURES:

- Stainless steel front, galvanized sides
- Electric hotplate, 2.6kw and 2kw combination
- Thermostat 50-260°C (122-500°F) controlled oven
- Spacious static oven capacity
- Top and bottom heating elements
- Welded frame structure for best stability
- Separate controls on the oven
- Adjustable heavy-duty legs
- A pull-out crumb tray with an angled handle in the front
- Stainless steel oven door with good insulation
- Stainless steel handle for bottom oven
- Kick plate at the bottom for easy access for servicing



Telephone: 1-800-465-0234

Fax: (905) 607-0234

Email: sales@omcan.com

Website: www.omcan.com



Authorized Dealer

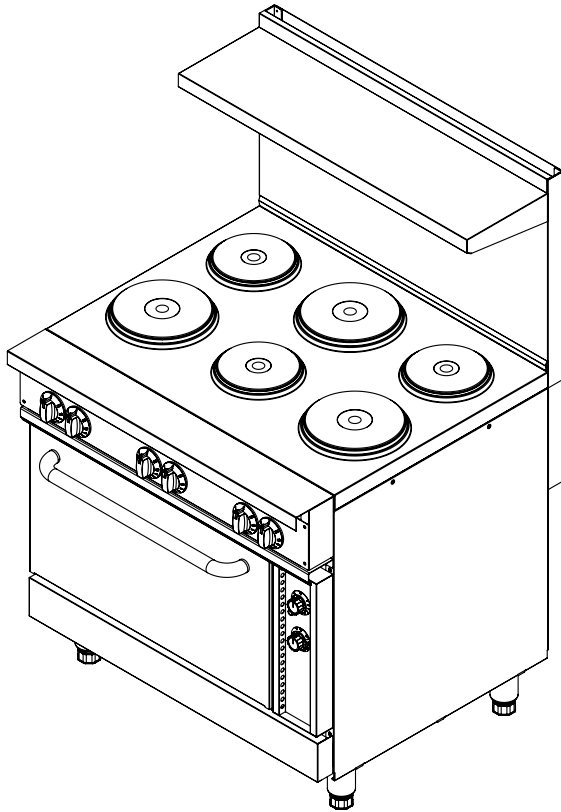


WARRANTY
PARTS AND LABOUR



(Version 2024.07)

Page 1 / 2



TECHNICAL SPECIFICATION	
Item	49103
Model	CE-CN-0036-ET
Type	Electric
Number of Burners	6
Power	18.2 kW
Electrical	208V / 60Hz / 3Ph
Amps	51A
Oven Temperature Range	50 - 260°C (122 - 500°F)
Burner Dimensions	Big - 8.7" (220mm) Small - 7" (180mm)
Oven Dimensions	26.6" x 25.8" x 13.9" (676 x 655 x 353 mm)
Net Weight	368 lb. (167 kg.)
Net Dimensions (WDH)	36" x 33" x 56.7" (915 x 847 x 1440 mm)
Gross Weight	423 lb. (192 kg.)
Gross Dimensions (WDH)	41" x 40 x 35" (1030 x 1010 x 890mm)

TECHNICAL DRAWING

